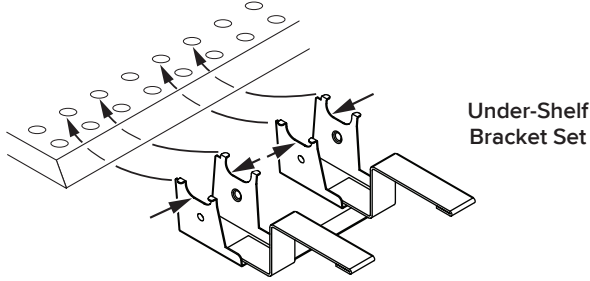
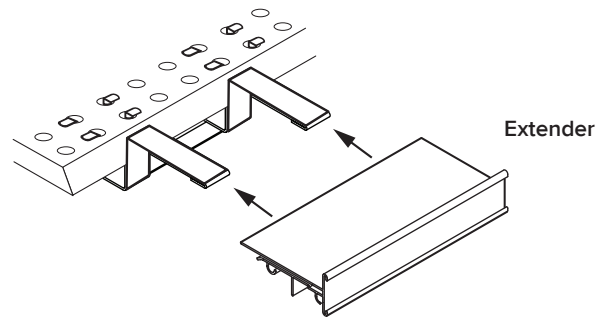


Under-Shelf Mount



Under-Shelf
Bracket Set

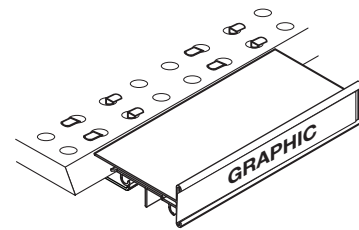
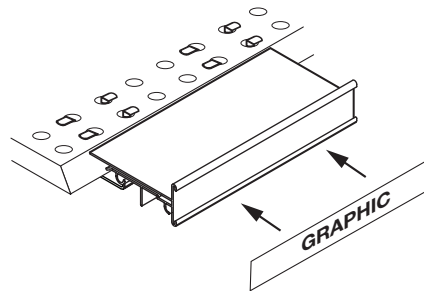
- ① Squeeze sides of brackets. Place under shelf and insert all the feet through shelf holes. **NOTE: It is recommended to use one additional under-shelf bracket set for each additional 6" in extender length.**



Extender

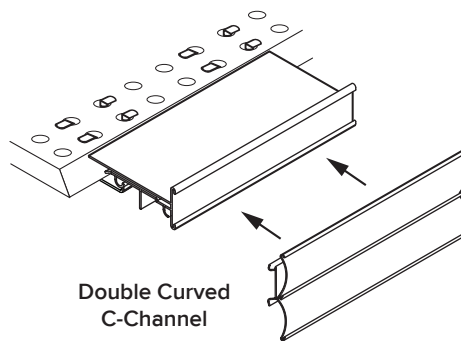
- ② Insert back of extender onto bracket tabs.

- ③ Insert graphic into c-channel.

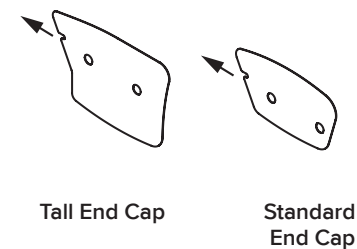
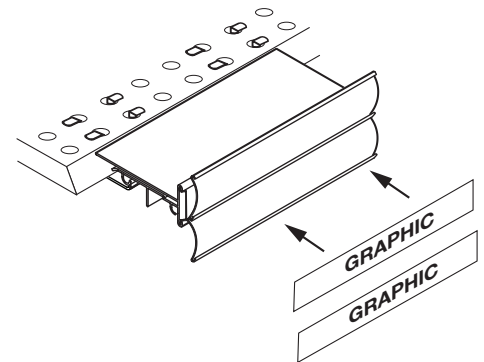


OR

- ③A Insert optional Double Curved Channel into extender c-channel. Insert graphics into c-channels.



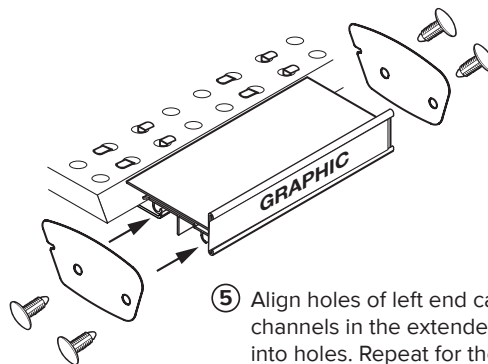
Double Curved
C-Channel



Tall End Cap

Standard
End Cap

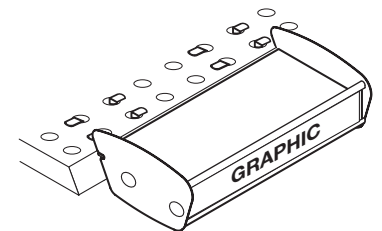
- ④ Position end cap with notch facing toward the back.



Fasteners

- ⑤ Align holes of left end cap with rounded channels in the extender. Insert fasteners into holes. Repeat for the right end cap.

- ⑤A Use the Tall End Cap kit for applications with the Double Curved C-Channel.



- ⑥ Installation is complete.

20190311